

KTEB-254HO-UV-PS-SL

T5HO ELECTRONIC BALLAST

Version D2

DESCRIPTION

2 x F54T5HO | 120-277 Multi-Voltage | HPF | Program Start | 90°C Rated | 9" Case



STARTING METHOD: Program Start
LAMP CONNECTION: Series
INPUT VOLTAGE: 120-277Vac ±10%
INPUT FREQUENCY: 50/60 Hz
POWER FACTOR: High
WARRANTY: 5 Years



PRODUCT FEATURES

- 2014 DOE Compliant
- Sound Rated: A
- Minimum Starting Temperature: -20°F, -29°C
- Maximum Case Temperature: 194°F, 90°C
- Meets FCC Part 18 (Class A) Non-Consumer Limits
- Meets ANSI Standard C82.11 and C62.41
- Output Voltage: 300V
- Voltage to Ground: 350V
- UL, cUL Listed Class P, Type 1 Outdoor
- Lamp End-of-Life Protected
- Type HL, Type CC

ELECTRICAL SPECIFICATIONS

LAMP TYPE	NO. OF LAMPS	INPUT VOLTS	INPUT WATTS	NOMINAL LINE AMPS	POWER FACTOR	BALLAST FACTOR	BALLAST EFFICACY FACTOR	MAX THD	CREST FACTOR	WIRING DIAGRAM
F54T5HO	2	120V	117	0.97	>0.90	1.00	0.85	<10%	<1.70	F2-12
		277V	114	0.41	>0.90	1.00	0.88	<12%	<1.70	F2-12
	1	120V	63	0.53	>0.90	1.02	1.62	<10%	<1.70	F1-11
		277V	62	0.23	>0.90	1.02	1.65	<15%	<1.70	F1-11
F54T5HO/ES (49W)	2	120V	110	0.93	>0.90	1.00	0.91	<10%	<1.70	F2-12
		277V	108	0.39	>0.90	1.00	0.93	<12%	<1.70	F2-12
	1	120V	55	0.46	>0.90	1.02	1.85	<10%	<1.70	F1-11
		277V	55	0.20	>0.90	1.02	1.85	<15%	<1.70	F1-11
FT55W/2G11	2	120V	108	0.90	>0.90	0.85	0.79	<10%	<1.70	P2-2
		277V	106	0.38	>0.90	0.85	0.80	<12%	<1.70	P2-2
	1	120V	58	0.48	>0.90	0.87	1.50	<10%	<1.70	P1-2
		277V	58	0.21	>0.90	0.87	1.50	<15%	<1.70	P1-2
FT50W/2G11	2	120V	117	0.97	>0.90	1.08	0.92	<10%	<1.70	P2-2
		277V	114	0.41	>0.90	1.08	0.95	<12%	<1.70	P2-2
	1	120V	63	0.52	>0.90	1.10	1.75	<10%	<1.70	P1-2
		277V	62	0.22	>0.90	1.10	1.77	<15%	<1.70	P1-2
FT36W/2G11	2	120V	83	0.68	>0.90	1.08	1.30	<10%	<1.70	P2-2
		277V	82	0.30	>0.90	1.08	1.32	<12%	<1.70	P2-2
	1	120V	42	0.35	>0.90	1.10	2.50	<10%	<1.70	P1-2
		277V	43	0.16	>0.90	1.10	2.40	<15%	<1.70	P1-2
F58T8	2	120V	108	0.95	>0.90	1.03	0.95	<10%	<1.70	F2-12
		277V	106	0.40	>0.90	1.03	0.97	<12%	<1.70	F2-12
	1	120V	58	0.48	>0.90	1.05	1.81	<10%	<1.70	F1-11
		277V	58	0.21	>0.90	1.05	1.81	<15%	<1.70	F1-11



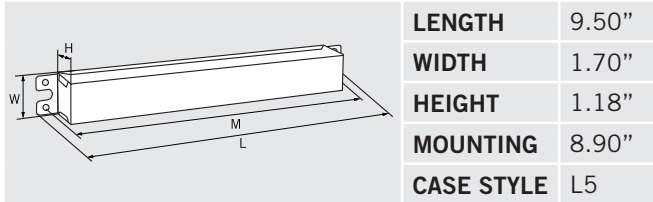
KTEB-254HO-UV-PS-SL

T5HO ELECTRONIC BALLAST

Version D2

PHYSICAL SPECIFICATIONS

CASE DIMENSIONS



STANDARD LEAD LENGTHS*

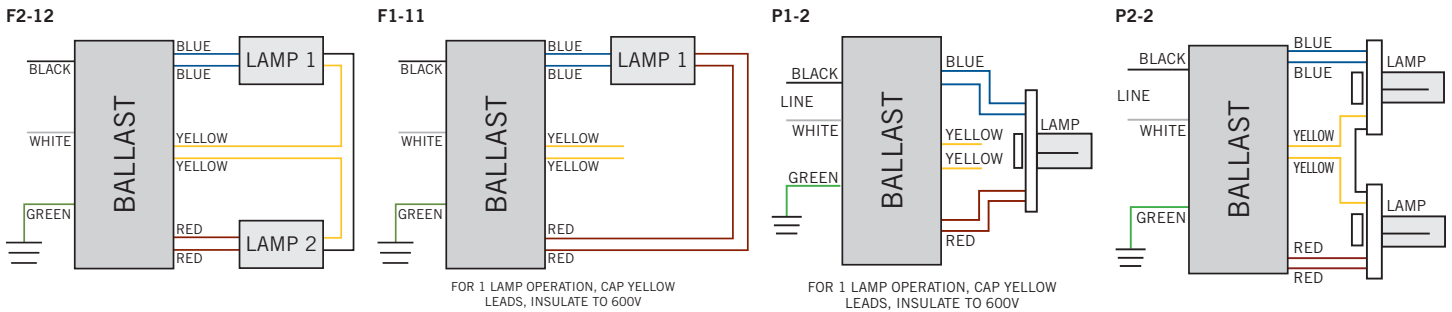
BLACK	25"
WHITE	25"
BLUE	32"
RED	32"
YELLOW	50"

Lead wires are 18 AWG 105 C/600V, solid copper.

CASE MATERIAL: Steel

*Consult Keystone for special lead length requirements.

WIRING DIAGRAMS



ORDERING INFORMATION

ORDER CODE	PACKAGING STYLE	PACK QTY.	ITEM STATUS
KTEB-254HO-UV-PS-SL-DP	Distributor Pack	10	Quick Ship
KTEB-254HO-UV-PS-SL-CP	Carton Pack	10	Active

NOTE: Version D2 (Manufacturing Revision). Prior versions of this ballast exist. Spec sheets for prior versions available upon request. Contact Keystone for details.

CATALOG NUMBER BREAKDOWN

KTEB-254HO-UV-PS-SL-DP

