



Centium T8 Instant Start

CENTIUM ELE BALLAST (2) F32T8 120-277V

Reliable and energy efficient Philips Advance's Centium commercial grade specifications, plus added benefits of lamp striation reduction technology.

Product data

General Information	
Lamp Type	F32T8
Number of Lamps	1/2 piece/unit
Ballast Type	Electronic Fluorescent
Base Model	ICN2P32N
Suitable For Outdoor Use	Yes
Automatic Restart	Yes

Operating and Electrical	
Input Voltage	120 to 277 V
Input Frequency	50 to 60 Hz
Max THD	10 %
Starting Method	Instant Start
Lamp Current Crest Factor (Nom)	1.7
Ignition Time (Nom)	0.1 s
Ballast Factor (Nom)	0.89
Power Factor (Nom)	0.98
Input Current (Operating) (Max)	0.49 A
Input Current (Operating) (Min)	0.22 A
Input Power (Nom)	56-56 W
Rated Lamp Watts	32 W

Wiring	
Color Input Terminals	No terminals
Color Output Terminals	No terminals
Wire Striplength	0.50/0.375 mm
Lamp Connection	Parallel
Wire Length by Color	See data sheet
Wire Gauge (Nom)	18AWG mm
Wire Type	Solid
Remote Wiring Configuration Allowed	Yes
Tandem Wiring Configuration Allowed	Yes
Through Wiring Configuration Allowed	Yes
Max Ballast-Lamp Distance Remote Wiring	ES = 6' / Standard = 20'
Max Ballast-Lamp Distance Tandem Wiring	ES = 6' / Standard = 20'
Max Ballast-Lamp Distance Through Wiring	ES = 6' / Standard = 20'
Connector Type	No connector

Temperature	
T-Case Maximum (Nom)	70 °C

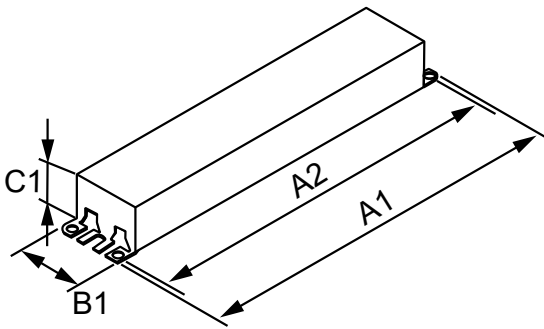
Mechanical and Housing	
Housing Material	Metal
Housing	N

Centium T8 Instant Start

Housing Dimensions	9.5" x 1.3" x 1.0"
Approval and Application	
EMC Immunity Standard	FCC Non-Consumer
Approbation Marks	CSA certificate UL certificate CEC Listing CEE Rated CSA E NEMA Premium NOM certificate RoHS Compliant
Sound Rating	A
UL Recognized	No

Product Data	
Order product name	CENTIUM ELE BALLAST (2) F32T8 120-277V
EAN/UPC - Product	781087069127
Order code	ICN2P32N35M
Numerator - Quantity Per Pack	1
Numerator - Packs per outer box	30
Material Nr. (12NC)	913710842702
Net Weight (Piece)	305.000 g

Dimensional drawing



ELE BALLAST (2) F32T8 120-277V

Product	A1	A2	B1	C1
CENTIUM ELE BALLAST (2) F32T8 120-277V	9.50 in	8.90 in	1.30 in	1.00 in

