



# Xitanium LED Driver Outdoor Dimmable (US)

## XITANIUM 150W 1.05A 140V 0-10V 120-277V

Xitanium Outdoor LED Drivers are available in wattages from 40W to 150W for hard-wire integration into outdoor luminaires for the most rugged applications. These drivers operate to specification under wide temperature and electrical ranges to ensure reliability. 1-10V dimming enables luminaires to be easily connected to a wide variety of sensors and control systems to facilitate dimming, thus maximizing energy savings.

### Product data

Operating and Electrical	
Input Frequency	50 to 60 Hz
Total Harmonic Distortion IEC (Max)	20 %
Power Factor 100% Load (Min)	0.95
Output Current (Nom)	1050 mA
Output Current Tolerance (Max)	5 %
Output Current Tolerance (Min)	-5 %
Input Voltage (AC)	120-277 V
Input Power (Nom)	167 W
Output Power (Nom)	150 W
Output Voltage	40-140 V

Wiring	
Control Wire Length	270.0 mm
Primary Fusing	Fused
Secondary Fusing	None Required

Input Wire Gauge	
Input Wire Gauge	18
Control Wire Gauge	18
Output Wire Gauge	18

Temperature	
T-Case Maximum (Max)	80 °C

Controls and Dimming	
Control Interface	0-10V
Dimming Range	100-10 %

Approval and Application	
Overheating Protection	Protected
Short Circuit Protection	Self-limited
Over Power Protection	Protected
Open Circuit Protection	Protected

## Xitanium LED Driver Outdoor Dimmable (US)

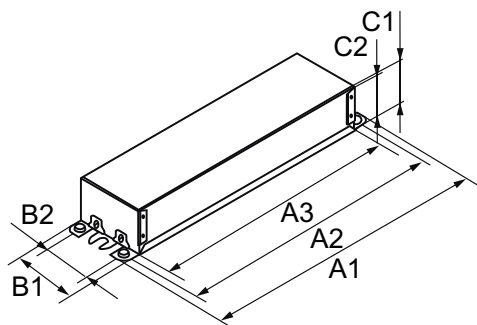
EMI Standard	FCC 47 part 15; Class A
Environmental Standard	UL Damp & Dry
Approbation Marks	RoHS compliance UL certificate CSA certificate
Output Insulation	Yes

### Product Data

Order product name	XITANIUM 150W 1.05A 140V 0-10V 120-277V
EAN/UPC - Product	781087135723

Order code	929000722913
Numerator - Quantity Per Pack	1
Numerator - Packs per outer box	10
Material Nr. (12NC)	929000722913
Net Weight (Piece)	1.257 kg

### Dimensional drawing



Xitanium 150W 1.05A 140V 0-10V 120-277V

Product	D1	B2	C1	C2	A1	A2	B1
XITANIUM 150W	4.8	42.9	39.7	37.7	240.5	241.5	59.1
1.05A 140V 0-10V	mm	mm	mm	mm	mm	mm	mm
120-277V							

