



# KT-EMRG-LED-5-500-K1

## CONSTANT WATTAGE LED EMERGENCY BACK-UP

### DESCRIPTION

LED Emergency Back-Up Driver Kit | 5W Output | 120–277V Input



<b>DRIVER TYPE:</b> Constant Wattage LED Emergency
<b>MAX. OUTPUT POWER:</b> 5W
<b>INPUT VOLTAGE:</b> 120–277Vac $\pm$ 10%
<b>OUTPUT VOLTAGE:</b> 12–41Vdc
<b>OUTPUT CURRENT:</b> 400–100mA
<b>WARRANTY:</b> 5 Years



### PRODUCT FEATURES

- Drives dedicated LED load (included) at 5W for a minimum of 90 minutes
- Meets FCC Part 15 (Class B) consumer limits
- Short circuit overload and open load protection
- Suitable for dry and damp locations
- Evaluated to UL 924 standards
- Operating temperature: 0°C/32°F to 50°C/122°F
- Input frequency: 50/60 Hz
- Test switch/Charging indicator light
- Battery pack with quick connect: NiCd
- Battery capacity: 1200mAh

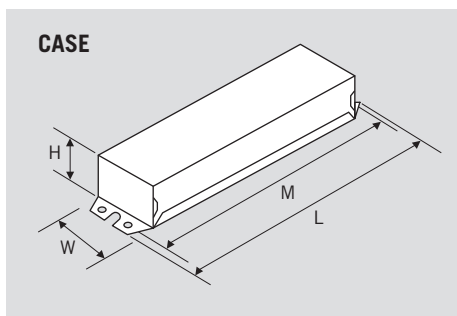
*Emergency Pack does not meet CEC T20 requirements. Not to be sold or offered for sale in California, except when sold wholesale in California for final retail sale outside the state.*

### ELECTRICAL SPECIFICATIONS

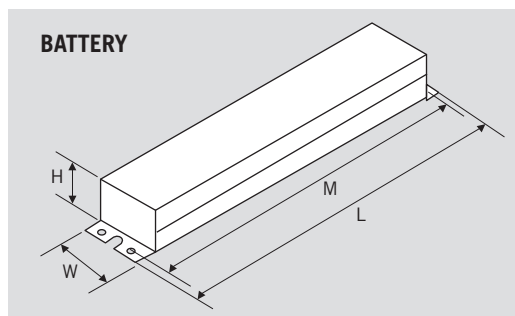
Family	INPUT CHARACTERISTICS			OUTPUT CHARACTERISTICS		
	Input Voltage	Power Factor	Max. Current	Max. Output Power	Rated Output Current	Output Voltage
5W	120–277Vac	$\geq$ 0.5	0.03A @ 120V	5W	400mA–100mA	12–41Vdc

*Emergency pack designed to deliver 5W to a constant current LED load. Approximate output is 500 lumens, assuming a nominal minimum efficacy of 100 lm/W.*

### MECHANICAL SPECIFICATIONS



**CASE**



**BATTERY**

### MODULE SPECIFICATIONS

Catalog Number: KTLM-120-L9-850-12A

Length	5.00"
Width	0.70"
Number of LEDs	12
Color Temperature	5000K

#### CASE DIMENSIONS

L (Length)	6.46"
W (Width)	1.37"
H (Height)	1.00"
M (Mounting)	6.00"

Case Style: L7  
Case Material: Metal

#### BATTERY DIMENSIONS

L (Length)	8.10"
W (Width)	1.97"
H (Height)	0.98"
M (Mounting)	7.57"



# KT-EMRG-LED-5-500-K1

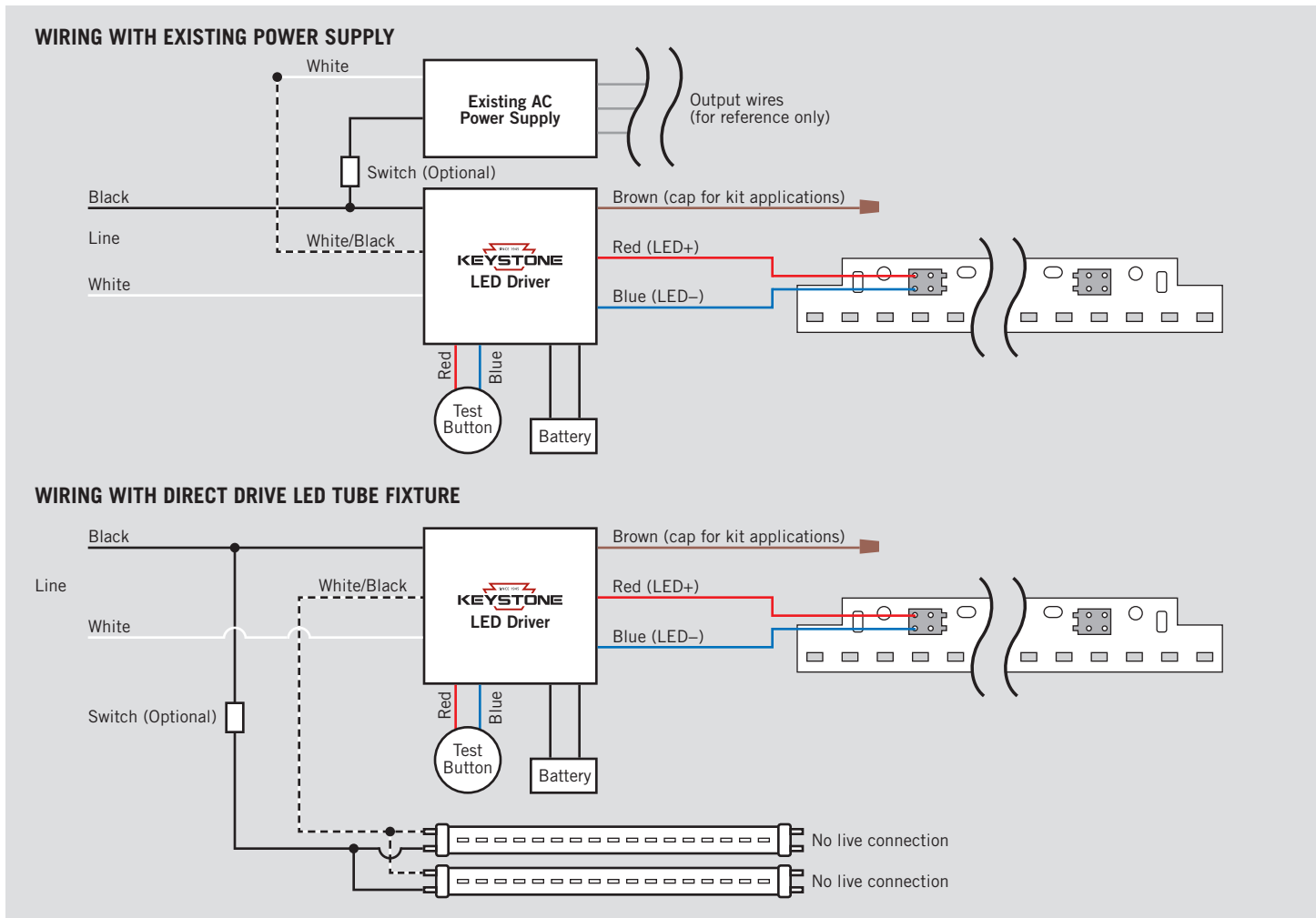
## CONSTANT WATTAGE LED EMERGENCY BACK-UP

### KIT WIRING SPECIFICATIONS

#### STANDARD LEAD LENGTHS\*

<b>Input</b>	Black, White, White/Black: 12" #18AWG
<b>Output</b>	Red, Blue: 24" #18AWG
	Brown: 24" #20AWG
<b>Test Button</b>	Red, Blue: 24" #22AWG

\* Consult Keystone for special lead length requirements.





# KT-EMRG-LED-5-500-K1

## CONSTANT WATTAGE LED EMERGENCY BACK-UP

### ORDERING INFORMATION

ORDER CODE	DESCRIPTION	PACKAGING STYLE	PACK QUANTITY	ITEM STATUS
KT-EMRG-LED-5-500-K1-IP	LED Emergency Driver with Battery and 0.7" x 6" 500 lumen LED Module	Individually Packaged	1	Active

### CATALOG NUMBER BREAKDOWN

# KT-EMRG-LED-5-500-K1-IP

1 2 3 4 5 6 7

- 1 Keystone Technologies
- 2 Emergency Back-up Driver
- 3 LED Driver
- 4 Wattage Family
- 5 Nominal Lumen Output
- 6 Kit
- 7 Packaging Style