

## B232PUS50-A

### APPLICATION and PERFORMANCE SPECIFICATION

**Description:** Switch Dimming Electronic ballast for (2/1) F32T8, (2/1) F28T8, (2/1) F25T8, (2/1) F17T8 and (1) F40T8 fluorescent lamps.  
Also, equivalent U-shaped lamps.

- Line Voltage: 120 - 277 vac, ±10%, 50/60Hz
- Series Lamp Operation
- Programmed Rapid Start
- Active Power Factor Correction

Lamp		Input Volts	100%/50%		Full Bright				
Type	Qty		Ballast Factor	Input Power [watts]	Line Current [Amps]	Power Factor	Max Thd. [%]	Crests Factor	BEF
F32T8	2	120	0.88/0.30	57/28	0.48	> 99	< 10%	< 1.7	1.54
F32T8	2	277	0.88/0.30	56/28	0.21	> 95	< 10%	< 1.7	1.57
F28T8/ES	2	120	0.88/0.27	48/24	0.40	> 99	< 10%	< 1.7	1.83
F28T8/ES	2	277	0.88/0.27	47/24	0.18	> 94	< 10%	< 1.7	1.87
F25T8	2	120	0.84/0.28	46/24	0.39	> 99	< 10%	< 1.7	1.83
F25T8	2	277	0.84/0.28	46/24	0.18	> 90	< 10%	< 1.7	1.83
F17T8	2	120	0.87/0.30	30/16	0.25	> 99	< 10%	< 1.7	2.90
F17T8	2	277	0.87/0.30	30/16	0.12	> 88	< 10%	< 1.7	2.90
F32T8	1	120	0.88/0.29	29/14	0.25	> 99	< 10%	< 1.7	3.03
F32T8	1	277	0.88/0.29	29/14	0.12	> 85	< 10%	< 1.7	3.03
F28T8/ES	1	120	0.88/0.27	25/12	0.21	> 99	< 10%	< 1.7	3.52
F28T8/ES	1	277	0.88/0.27	25/13	0.11	> 85	< 10%	< 1.7	3.52
F25T8	1	120	0.85/0.28	24/12	0.21	> 98	< 10%	< 1.7	3.54
F25T8	1	277	0.85/0.28	24/12	0.11	> 80	< 10%	< 1.7	3.54
F17T8	1	120	0.88/0.29	16/9	0.14	> 95	< 10%	< 1.7	5.50
F17T8	1	277	0.88/0.29	16/9	0.08	> 70	< 10%	< 1.7	5.50
F40T8	1	120	0.95/0.28	38/17	0.32	> 95	< 10%	< 1.7	2.50
F40T8	1	277	0.95/0.28	38/17	0.15	> 90	< 10%	< 1.7	2.50

Application and Performance Specification Information Subject to Change without Notification.

Energy-savings lamp applications available beginning Spring-2011 – check ballast label for actual listings

Lamp striations may occur when dimming energy-savings lamps – these are not harmful to the ballast or lamps

Check with lamp manufacturer for suitability of energy-savings lamps in dimming applications

**Performance:**

- Meets ANSI Standard C82.11
- Meets ANSI Standard C62.41
- Meets FCC Part 18 (Class A) for EMI and RFI  
Non-Consumer Limits
- Auto Reset after Lamp Replacement
- End of Lamp Life Shutdown Circuitry
- Dimming Range: Step dimming to 50% input power

**Application:**

- Minimum Starting Temperature: 32 °F, 0 °C
- Energy Savings Lamps: 60°F, 16°C
- Note: Check lamp requirements for dimming below 50°F
- Maximum Case Temperature(tc): 167 °F, 75 °C
- Sound Rating: A
- Remote mounting: Not recommended
- Tandem wiring: Not recommended
- Season new lamps by operating at full intensity for at least 100 hours before dimming

**Safety:**

- No PCB's
- cUL<sub>us</sub>  
(Class P, Type 1 Outdoor, Type HL)
- Type CC

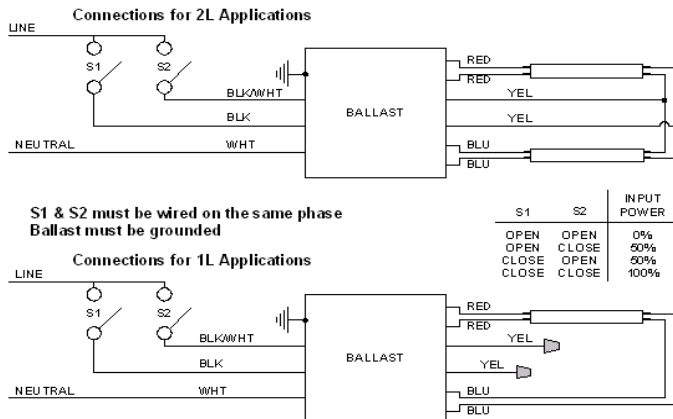
**Physical Parameters**

- Mounting Length: 8.89" (Center to Center)
- Overall Length: 9.50"
- Width: 1.70"
- Height: 1.18"
- Weight: 1.7 lb
- Carton Quantity: 10 pieces
- Lead Lengths: Red & Blue 33" ± 1"
- Yellow 47" ± 1"
- Blk, Wht & Blk/Wht 25" ± 1"

**Warranty:**

Universal Lighting Technologies warrants to the purchaser that each electronic ballast will be free from defects in material or workmanship for a period of 5 years from date of manufacture when properly installed and under normal conditions of use. Call 1-800-BALLASTx800 for technical assistance.

Manufactured in North America



**Ballast must be grounded in accordance with national and local electric codes**

**Use of a star washer on the mounting foot is strongly recommended**